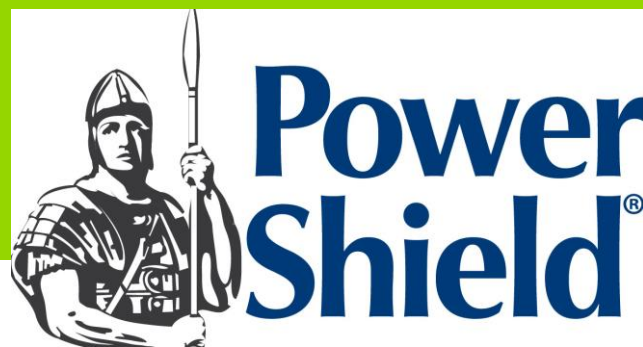




PowerShield Connectivity Cards






Product: PowerShield Connectivity Cards
Release date: 13 June 2024

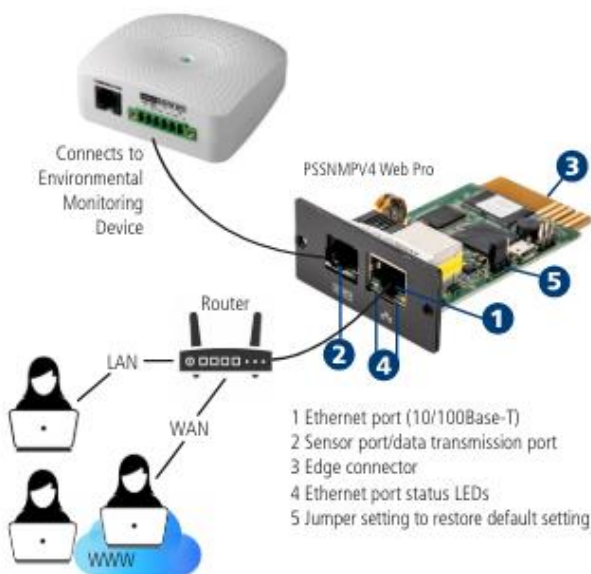


PowerShield Connectivity Cards

PowerShield Communication Cards

<p>SNMP Comms Card V4</p> <p>PSSNMPV4</p>		<p>The PowerShield SNMP V4 has increased levels of security and supports virtual machine environments such as VMware and Hyper-V. It offers Modbus TCP/IP support.</p>
<p>SNMP Comms Card Lite V1</p> <p>PSSNMPV1</p>		<p>With its integrated web server CPU the SNMP Lite allows the IT Manager to view and control the UPS and power events with any standard internet browser.</p> <p>Not compatible with VMware or Hyper-V, (please view PSSNMPV4 or PSCSSNMP).</p>
<p>Cyber Secure SNMP Comms Card</p> <p>PSCSSNMP</p>		<p>The Cyber-Secure SNMP follows the Australian Cyber Security Centre (ACSC) Information Security Manual (ISM) framework for risk management and cyber threats to protect information and systems from external threats.</p> <p>Made in Germany and the USA the Cyber Secure SNMP is the most powerful UPS, SNMP and IT Infrastructure solution on the market.</p>

SNMP Card



- Monitoring and flexible configuration settings accessed via Web Browser.
- PSSNMPv4 MIB file freely available for third party SCADA monitoring systems.
- Simultaneously monitor and manage multiple SNMP cards with PowerShield SNMP Multi View
- Automatically detects and exchange 10M/100M Fast Ethernet.
- Supports DHCP server assigned IP address or static IP address settings
 - Supports wake-on-LAN function.
- Supported protocols: TCP/IP, UDP, SNMP V1/V2C/V3, SMTP, SNMP, HTTP, HTTPS, SSL, SSH, IPV4/IPV6, DHCP, AES-128 CBC data encryption.
- Operating systems are shut down by PSSNMPv4 with shutdown Wizard, or by PSSNMPv4 alone in SSH Client supported Operating Systems.
- Event notifications via email or Trap.
- 128MB flash memory with 32MB data and 32MB event logs. More than 200,000 threads each, including UPS warnings, faults and EMD warnings, operation data logs from web users or SNMP MultiView users. All data stored safely without loss even when power failure occurs.
- Supports daily reports for event log and data log.
- Scheduled UPS on/off and battery test.
- Supports EMD monitoring of temperature and humidity.
- Equipped with real-time clock to record log with time and date and will continue running up to 7 days without power connected.
- MODBUS TCP Server.

Supports Supervisory Control & Data Acquisition (SCADA) monitoring systems.



PowerShield Connectivity Cards

PowerShield Relay Cards

**Internal Relay Comms Card
With DB-9 connector**

PSAS400D



**Internal Relay Comms Card
with terminal connector**

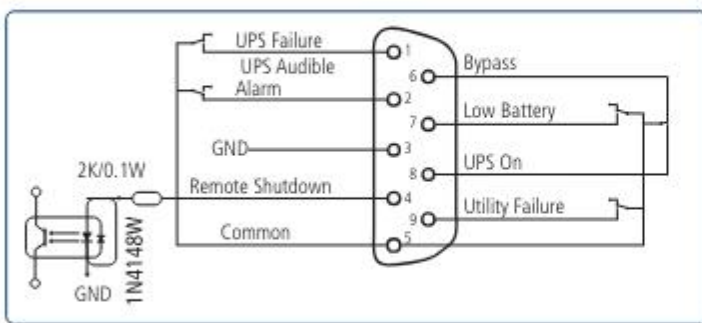
PSAS400T



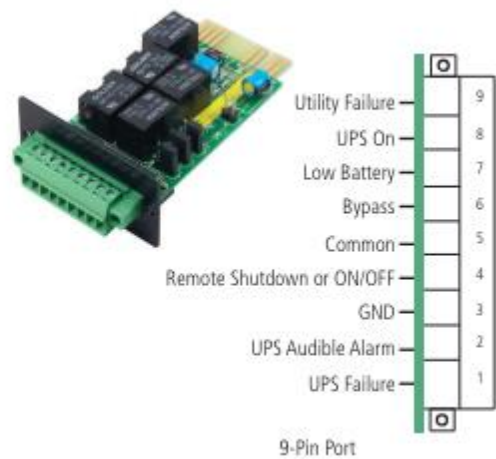
The Relay Card (PSAS400) provides VFC (Volt Free Contact) relays that change state upon UPS events. This type of card is often used when current loop communications are required for devices such as BMS (Building Management Systems), Access Control Alarm Panels or Industrial PLCs. User selectable normally open (default) or normally closed contacts.

RELAY CARD

Internal Circuit of DB-9 Port



RS-232 Port



PowerShield Connectivity Cards

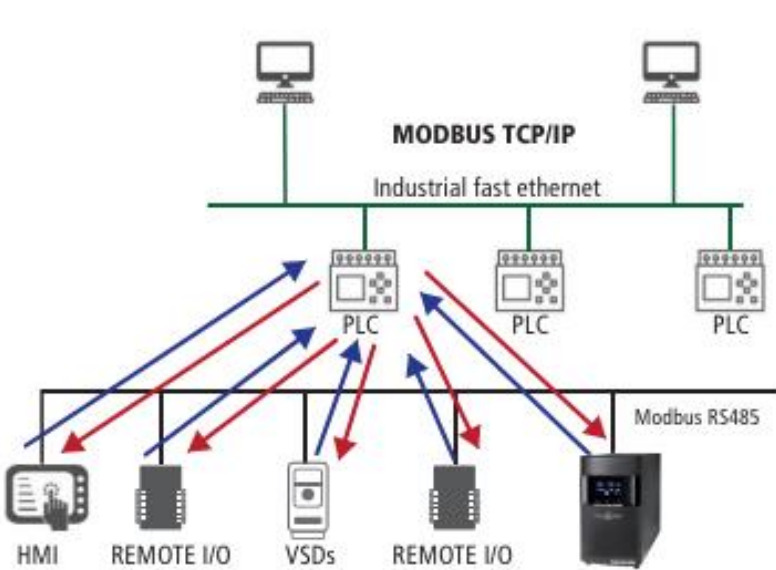
PowerShield Modbus Card

Modbus Card

PSMBUS



The PowerShield Modbus Card (PSMbus) facilitates UPS communication with industrial and building management systems using the Modbus RTU Protocol. PSMbus card provides real time monitoring and control of multiple UPS's via the RS485 communications port



- 1 RS-485 port
- 2 RS-485/RS-232 port
- 3 Edge connector
- 4 Address switch
- 5 Communication setting



PowerShield Connectivity Cards

Other Connectivity Options

External Comms Box

PSECB



The PowerShield external Comms Box (PSECB) allows two comms cards to be operational, whilst using the UPS intelligent slot and PSECB over UPS serial port simultaneously. Includes a 240Vac / 12Vdc power pack.

Environmental Monitoring Device

PSEMD



The PowerShield Environmental Monitoring Probe (PSEMD) enables you to remotely monitor environmental conditions as easily as you monitor power conditions.



PowerOn

AUSTRALIA

