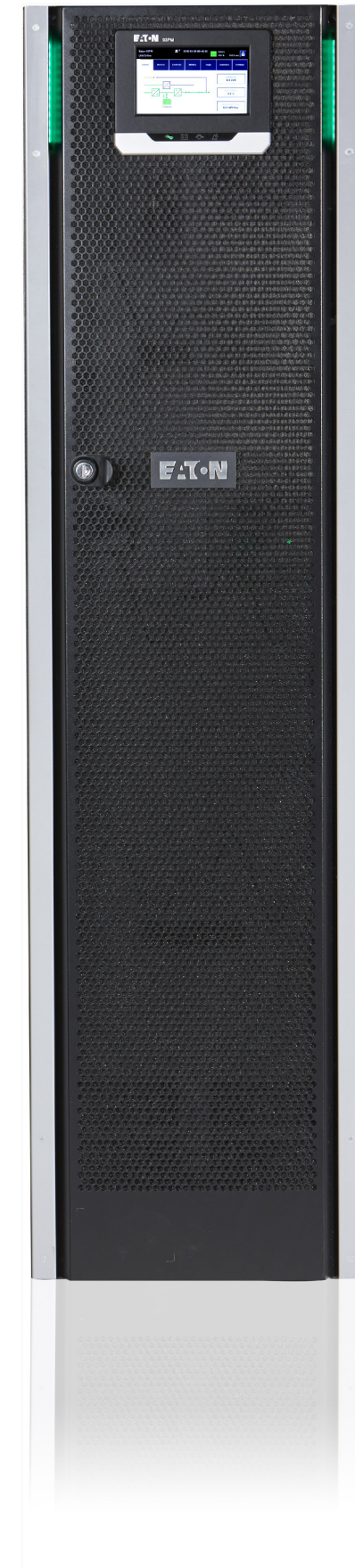




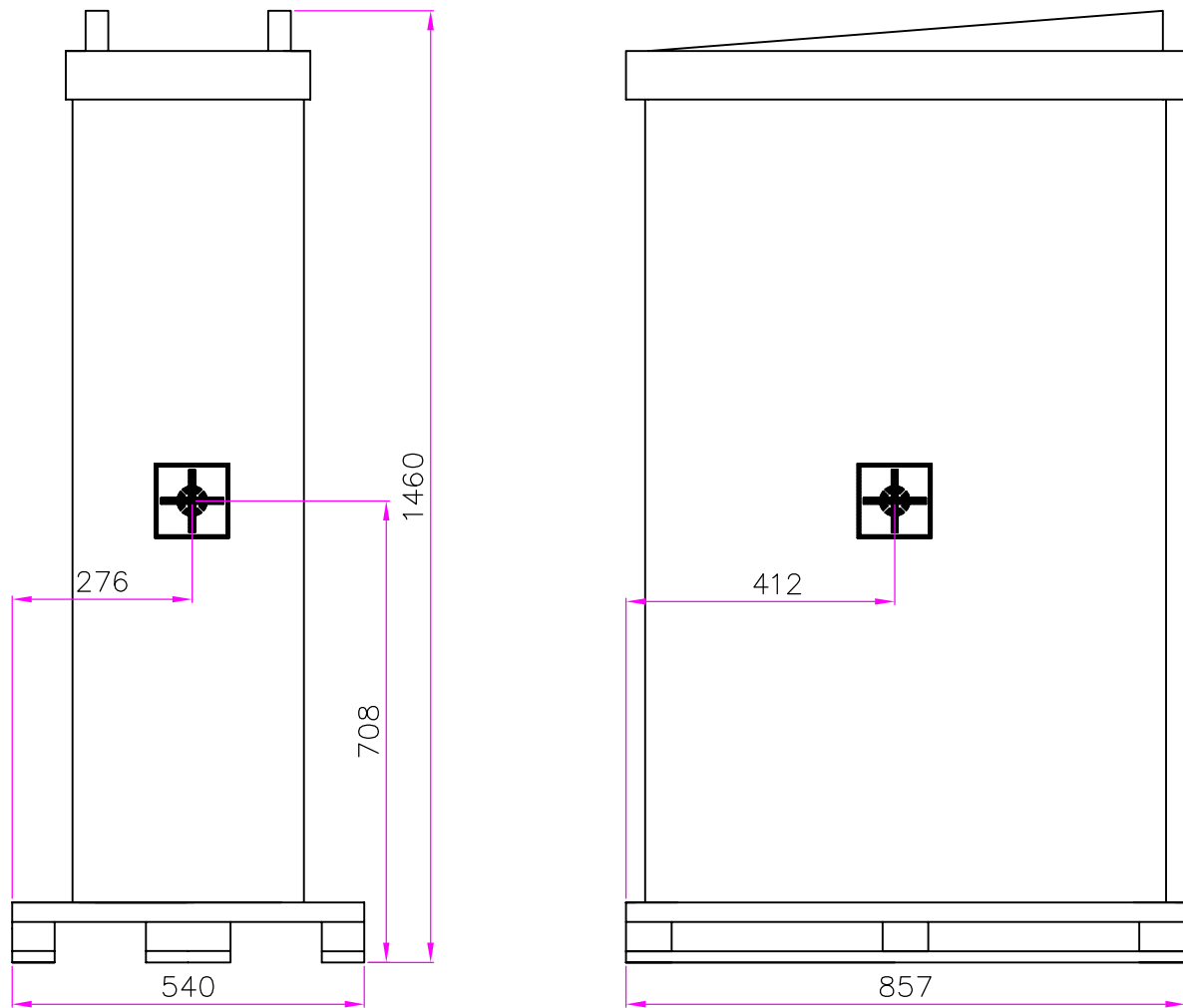
Powering Business Worldwide

SITE PLANNING DATA 93PS 8-20KW

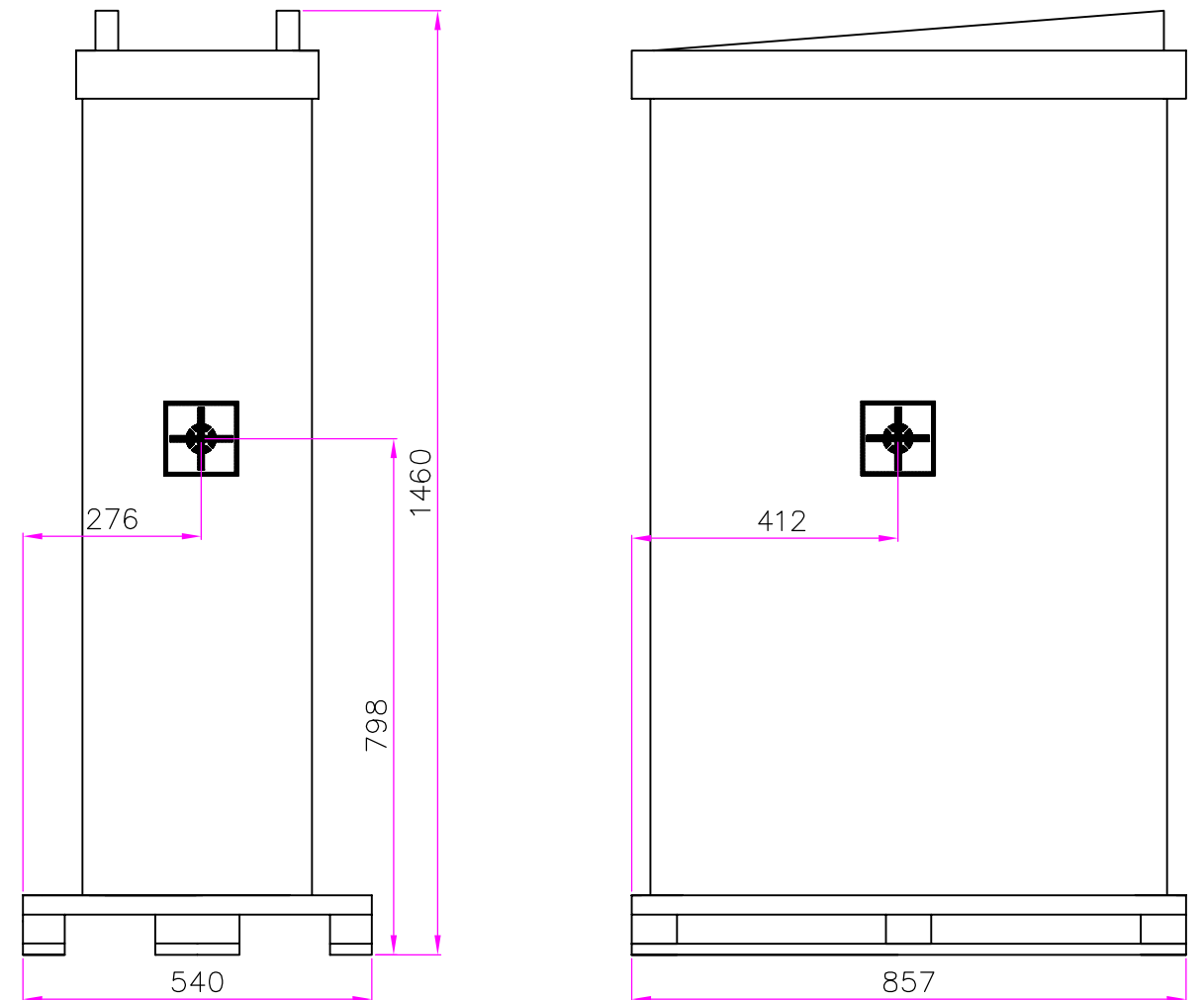
Page 1	Packaging Dimensions
Page 2	Dimensional Drawings
Page 3	COG and Clearance Dimensions
Page 4	Customer Connections
Page 5	Electrical Wiring of Single Unit
Page 6	Electrical & Signal Wiring of Parallel Units
Page 7	Product Specifications



METRIC		THIRD ANGLE PROJECTION		EATON CORPORATION			
DIMENSIONS ARE IN MILLIMETERS AFTER PLATING, DIMENSIONS AND TOLERANCES IN ACCORDANCE WITH ASME Y14.5M-1994. SEE NOTES FOR TOLERANCES.							
DESCRIPTION: 93PS 8-20KW							
ORIGINATED: Atif Rasheed	1-07-2015	ECO:	NAME:	REVISION: 001	SIZE: A2		
MODIFIED:				STATE: RELEASED	SCALE: 1:1		
CHECKED:		DOCUMENT TYPE:	P-110000446		SHEET: OF		
SAFETY:							
APPROVED:							
EATON CORPORATION - CONFIDENTIAL AND PROPRIETARY NOTICE TO PERSONS RECEIVING THIS DOCUMENT AND/OR TECHNICAL INFORMATION THIS DOCUMENT, INCLUDING THE DRAWING AND INFORMATION CONTAINED THEREIN, IS CONFIDENTIAL AND IS THE EXCLUSIVE PROPERTY OF EATON CORPORATION, AND IS LOANED TO YOU AND SUBJECT TO RECALL BY EATON AT ANY TIME. BY YOUR POSSESSION OF THIS DOCUMENT, THE RECIPIENT ACKNOWLEDGES AND AGREES THAT THIS DOCUMENT CANNOT BE USED IN ANY MANNER CONTRARY TO THE INTERESTS OF EATON AND THAT NO PORTION OF THIS DOCUMENT MAY BE COPIED OR OTHERWISE REPRODUCED WITHOUT THE PRIOR WRITTEN CONSENT OF EATON. IN THE CASE OF CONFLICTING CONTRACTUAL PROVISIONS, THIS NOTICE SHALL GOVERN THE STATUS OF THIS DOCUMENT. © 2011 Eaton Corporation - All Rights Reserved.							



COG dimensions with internal batteries



COG dimensions without internal batteries

Notes:

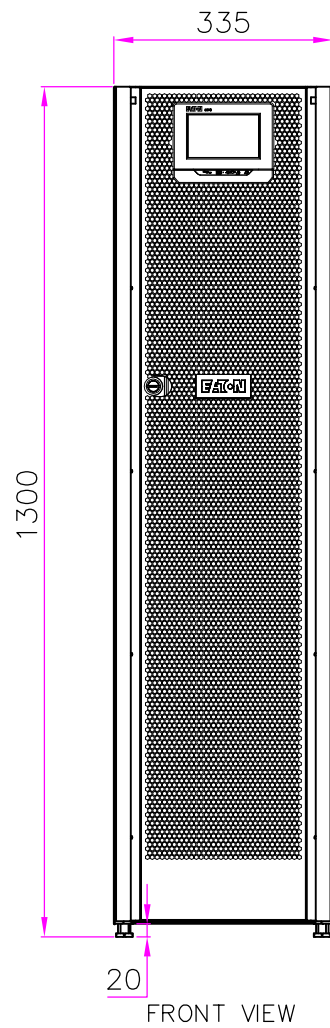
1. The COG dimensions are approximated values with Pallet and packaging including Batteries and without Batteries.
2. The COG dimensions of UPS cabinet with package are X=276mm, Y=412mm, Z=708mm including Batteries and X=276mm, Y=412mm, Z=798mm without Batteries.
3. Store the unit in dry and clean environment. Protect the unit from high humidity, rain or other direct exposure to water and also protect it from exposure to dirt and dust.
4. Optimal storing temperature for the unit without batteries is +15°C to +30°C and for batteries +20°C to +25°C.
5. Unites without batteries can be stored in -25°C to +55°C without risk of remediate damaging.
6. Storing batteries above +25°C will shorten the battery lifetime.
7. Batteries can be stored for six months without charging in temperature +20°C to +25°C, but batteries should not be stored uninstalled more than absolute necessary.
8. If batteries are stored above +25°C then batteries should be charged every four months.
9. Storing batteries longer than recommended without charging can harm the battery permanently.

Product Specifications				
UPS Rating		Shipping Dimensions WXDXH	Approx. Weight Shipping with Batteries	Approx. Weight Shipping without Batteries
KVA	KW	MM	Kg	Kg
8-20	8-20	540X857X1460	274	131

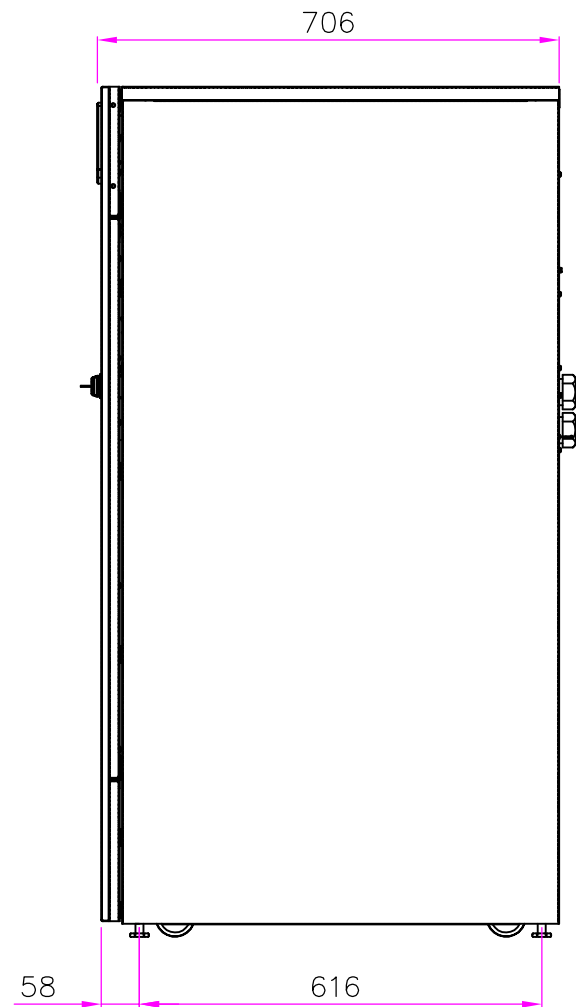
METRIC		THIRD ANGLE PROJECTION		EATON CORPORATION			
DIMENSIONS ARE IN MILLIMETERS AFTER PLATING, DIMENSIONS AND TOLERANCES IN ACCORDANCE WITH ASME Y14.5M-1994. SEE NOTES FOR TOLERANCES.							
DESCRIPTION: 93PS 8-20KW Packaging Dimensions							
ORIGINATED: Atif Rashid	1-07-2015	ECO:	NAME:	REVISION: 001	SIZE: A2		
MODIFIED:				STATE: RELEASED	SCALE: 1:8		
CHECKED:		DOCUMENT TYPE:	P-110000446		SHEET: 1 OF 7		
SAFETY:							
APPROVED:							

EATON CORPORATION - CONFIDENTIAL AND PROPRIETARY
 NOTICE TO PERSONS RECEIVING THIS DOCUMENT AND/OR TECHNICAL INFORMATION
 THIS DOCUMENT, INCLUDING THE DRAWING AND INFORMATION CONTAINED THEREIN, IS CONFIDENTIAL AND IS THE EXCLUSIVE PROPERTY OF EATON CORPORATION AND IS MERELY ON LOAN AND SUBJECT TO RECALL BY EATON AT ANY TIME.
 BY TAKING POSSESSION OF THIS DOCUMENT, THE RECIPIENT ACKNOWLEDGES AND AGREES THAT THIS DOCUMENT CANNOT BE USED IN ANY MANNER HARMFUL TO THE INTERESTS OF EATON AND THAT NO PORTION OF THIS DOCUMENT MAY BE COPIED OR OTHERWISE REPRODUCED WITHOUT THE PRIOR WRITTEN CONSENT OF EATON. IN THE CASE OF CONFLICTING CONTRACTUAL PROVISIONS, THIS NOTICE SHALL GOVERN THE STATUS OF THIS DOCUMENT.
 © 2011 Eaton Corporation - All Rights Reserved.

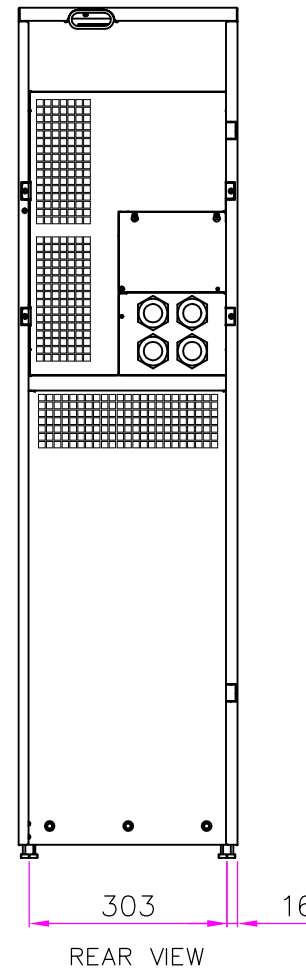
Product Specifications										
UPS Rating		Max Heat Dissipation at 100% Load	Cabinet Dimensions WXD _X H	Shipping Dimensions WXD _X H	Approx. Weight Cabinet With Batteries	Approx. Weight Cabinet without Batteries	Approx. Weight Shipping with Batteries	Approx. Weight Shipping without Batteries	Floor Landing	Cooling Air
KVA	KW	KW	MM	MM	Kg	Kg	Kg	Kg	Kg/m ²	m ³ /H
8	8	0.3	335X750X1300	540X857X1460	253	110	274	131	1007	3
10	10	0.4	335X750X1300	540X857X1460	253	110	274	131	1007	3
15	15	0.6	335X750X1300	540X857X1460	253	110	274	131	1007	3
20	20	0.9	335X750X1300	540X857X1460	253	110	274	131	1007	3



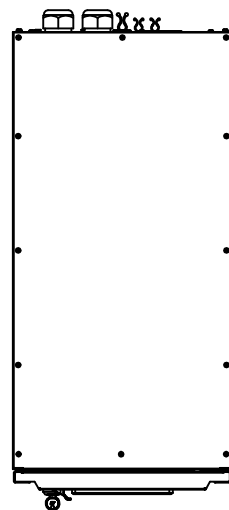
FRONT VIEW



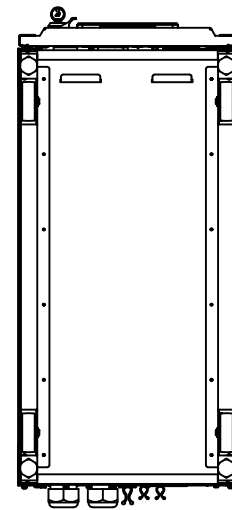
SIDE VIEW



REAR VIEW

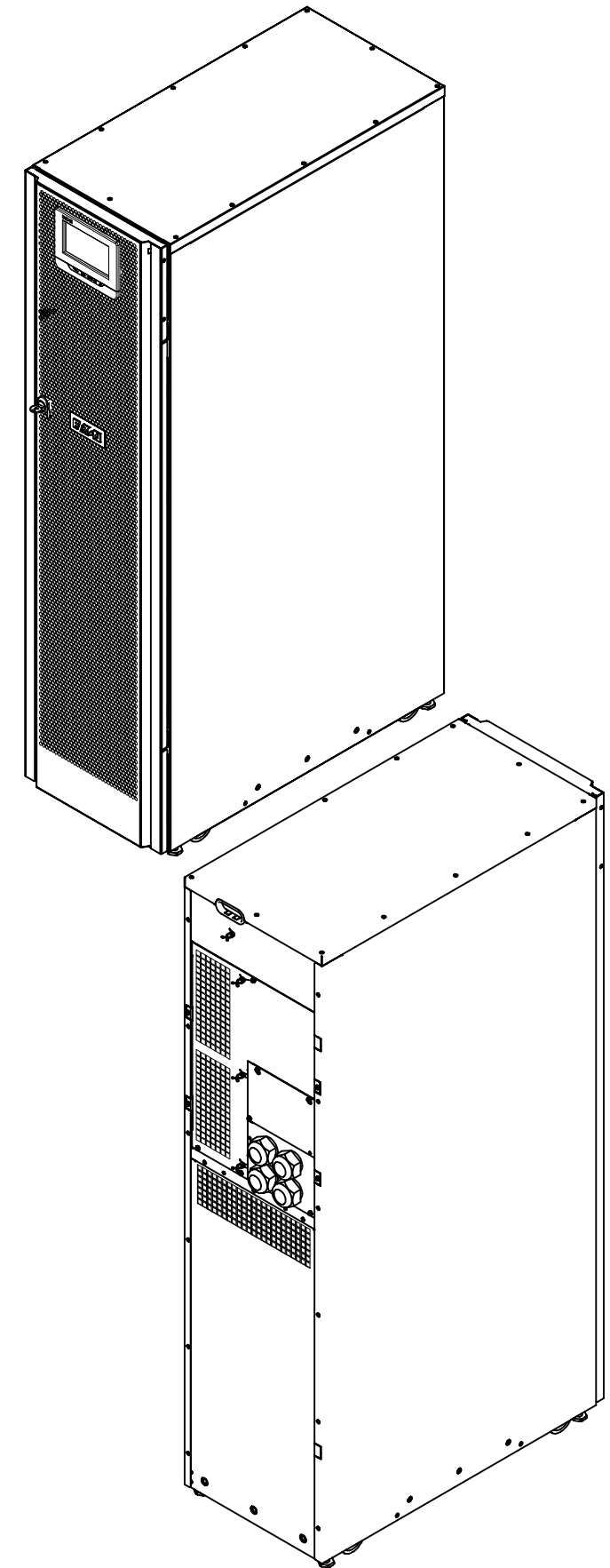


TOP VIEW

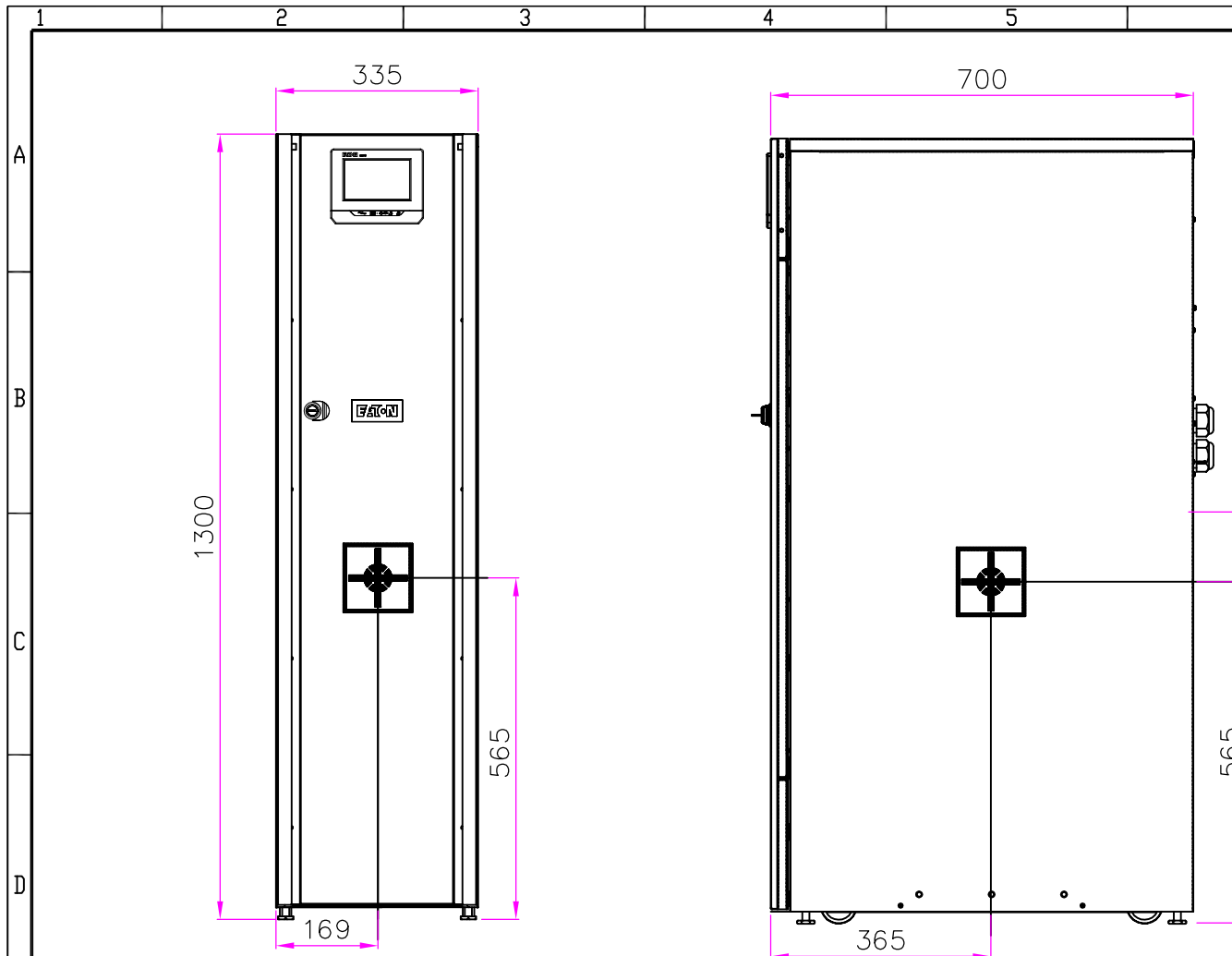


BOTTOM VIEW

- Notes:
1. The system must be installed in a temperature and humidity controlled indoor area free of conductive contaminants.
 2. Continuous ambient temperature range: 0–40°C (32–104°F); Maximum relative humidity: 95% non-condensing.
 3. The UPS can be installed in line-up-and-match or standalone configurations.
 4. The rear cable entries through the removable access gland plate are standard. Access plates shall be custom-modified to suit conduit sizes.

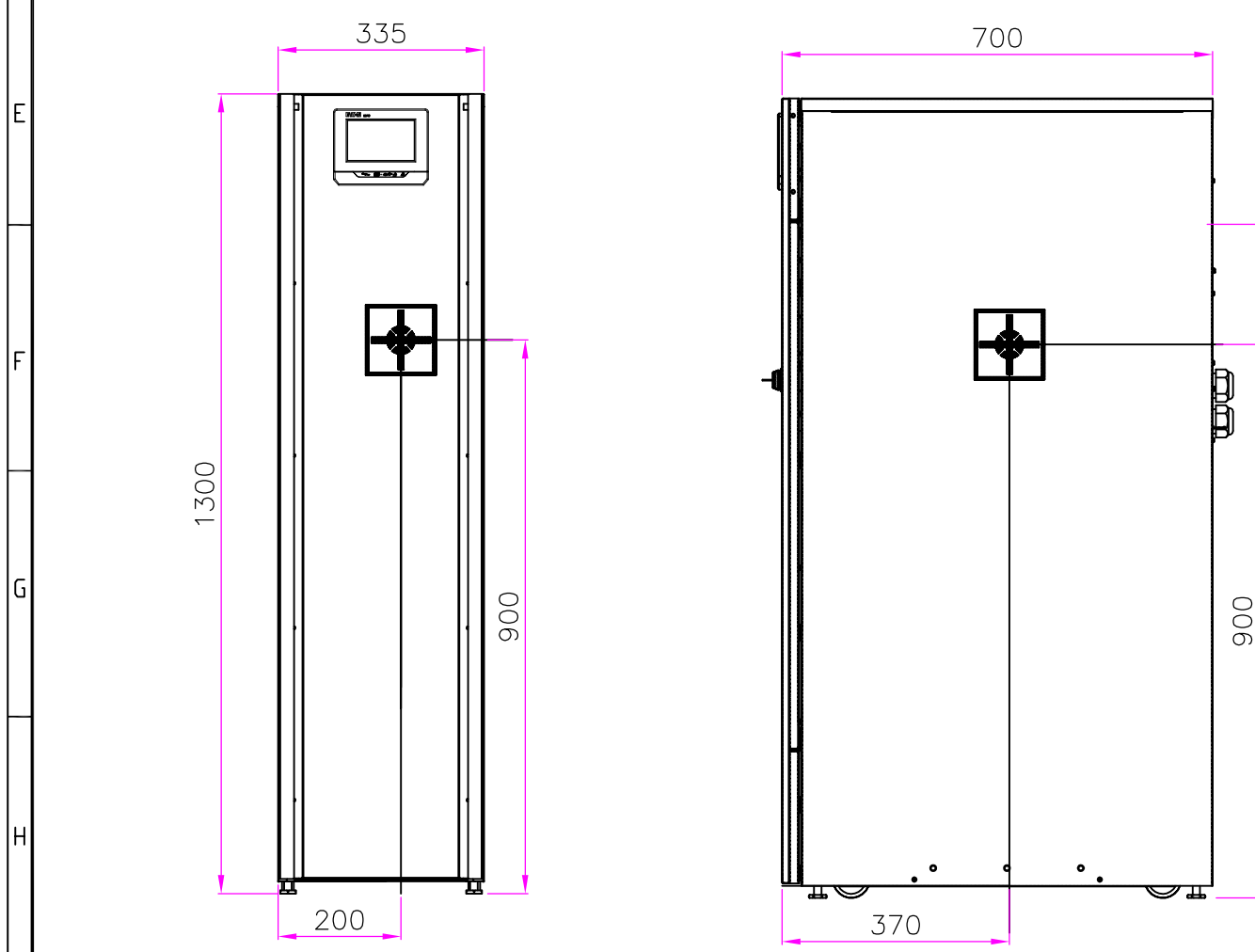


METRIC		THIRD ANGLE PROJECTION		EATON CORPORATION			EATON	
DIMENSIONS ARE IN MILLIMETERS AFTER PLATING, DIMENSIONS AND TOLERANCES IN ACCORDANCE WITH ASME Y14.5M-1994. SEE NOTES FOR TOLERANCES.								
DESCRIPTION: 93PS 8–20KW Dimensional Drawing								
ORIGINATED: Atif Rashid	1-07-2015	ECO:	NAME:	REVISION: 001	SIZE: A2			
CHECKED:		DOCUMENT TYPE:	P-110000446	SCALE: 1:8				
SAFETY:		AUTOCAD DRAWING		STATE: RELEASED	SHEET: 2 OF 7			
APPROVED:		EATON CORPORATION – CONFIDENTIAL AND PROPRIETARY NOTICE TO PERSONS RECEIVING THIS DOCUMENT AND/OR TECHNICAL INFORMATION THIS DOCUMENT, INCLUDING THE DRAWING AND INFORMATION CONTAINED THEREIN, IS CONFIDENTIAL AND IS THE EXCLUSIVE PROPERTY OF EATON CORPORATION AND IS LOANED AND SUBJECT TO RECALL BY EATON AT ANY TIME. BY TAKING POSSESSION OF THIS DOCUMENT, THE RECIPIENT ACKNOWLEDGES AND AGREES THAT THIS DOCUMENT CANNOT BE USED IN ANY MANNER HARMFUL TO THE INTERESTS OF EATON AND THAT NO PORTION OF THIS DOCUMENT MAY BE COPIED OR OTHERWISE REPRODUCED WITHOUT THE PRIOR WRITTEN CONSENT OF EATON. IN THE CASE OF CONFLICTING CONTRACTUAL PROVISIONS, THIS NOTICE SHALL GOVERN THE STATUS OF THIS DOCUMENT.						

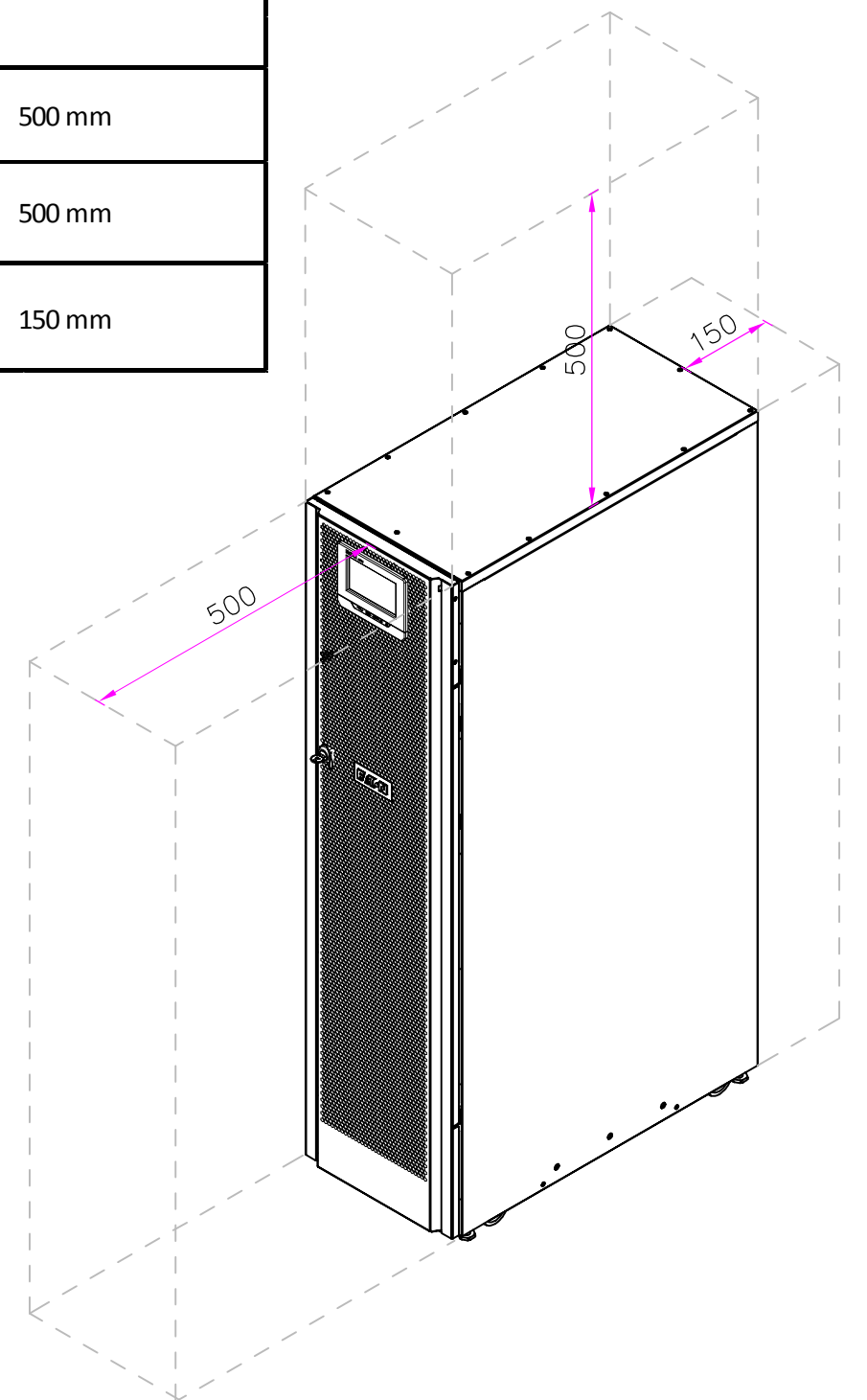


Clearances	
From Top of cabinet	500 mm
From Front of cabinet	500 mm
From Back of cabinet	150 mm

COG Dimensions with Internal Batteries

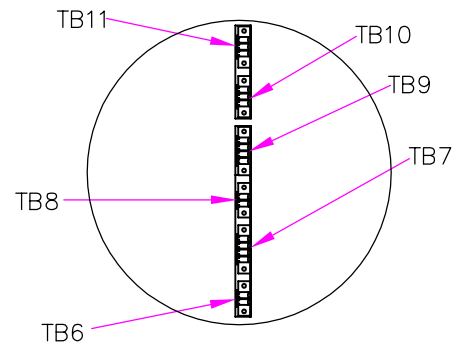


COG Dimensions without Internal Batteries

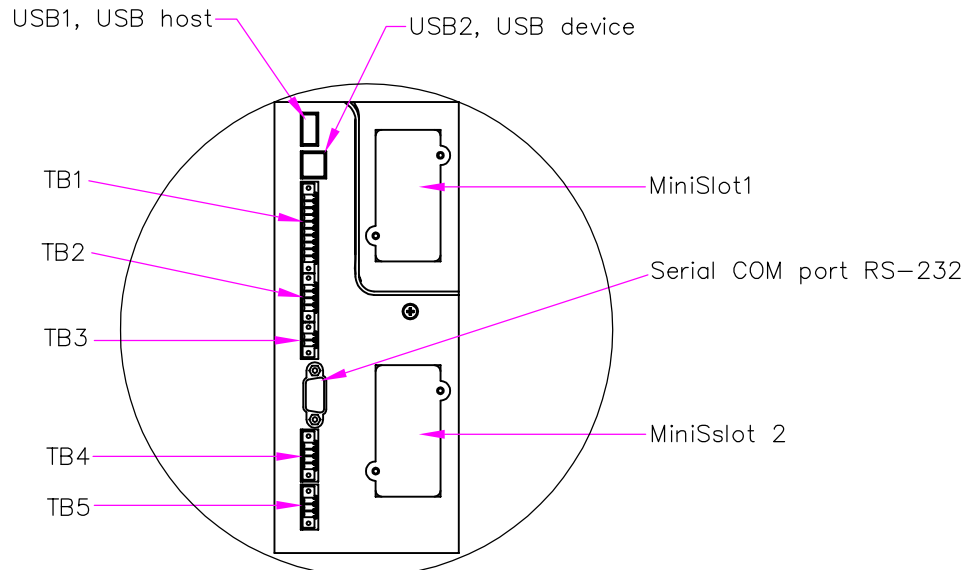


- Notes:
1. The COG dimensions for UPS cabinet are approximated values including internal Batteries and without Batteries.
 2. The COG dimensions of UPS cabinet without package are X=169mm , Y=365mm, Z=565mm including Batteries and X=200mm , Y=370mm, Z=900mm without Batteries.
 3. Minimum overhead clearance above the UPS cabinet is 500mm (20in.) for servicing space.
 4. Minimum 650mm (26in.) clearance in front of the UPS cabinet is required for cooling air intake and servicing space.
 5. Minimum 150mm (6in.) clearance in back of the UPS cabinet is required for cooling air exhaust and servicing space.

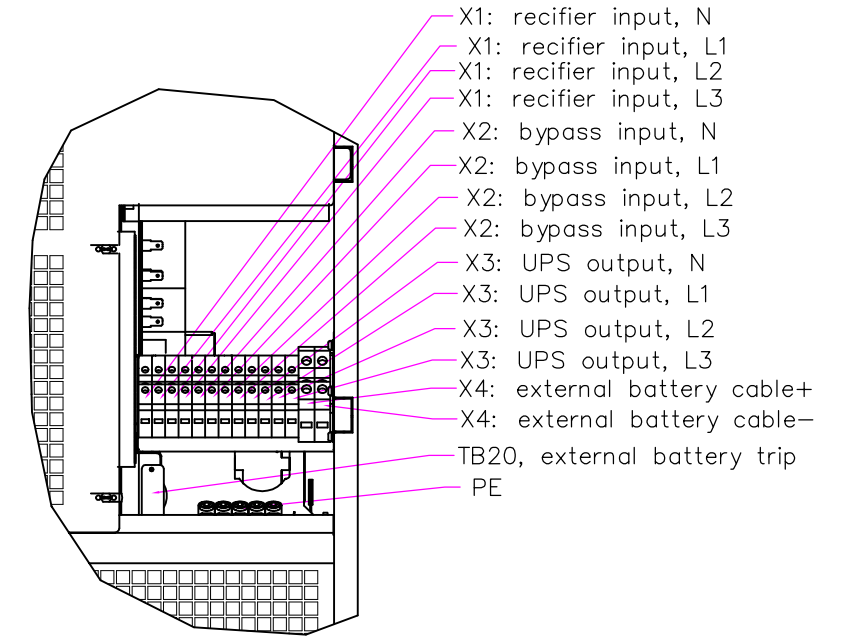
METRIC	THIRD ANGLE PROJECTION	EATON CORPORATION		EATON	
DIMENSIONS ARE IN MILLIMETERS AFTER PLATING, DIMENSIONS AND TOLERANCES IN ACCORDANCE WITH ASME Y14.5M-1994. SEE NOTES FOR TOLERANCES.					
DESCRIPTION: 93PS 8-20KW Clearance and COG					
ORIGINATED: Atif Rashid	1-07-2015	ECO:	NAME:	REVISION: 001	SIZE: A2
MODIFIED:				STATE: RELEASED	SCALE: 1:8
CHECKED:		DOCUMENT TYPE:	P-110000446		SHEET: 3 OF 7
SAFETY:					
APPROVED:					
<small>EATON CORPORATION - CONFIDENTIAL AND PROPRIETARY NOTICE TO PERSONS RECEIVING THIS DOCUMENT AND/OR TECHNICAL INFORMATION THIS DOCUMENT, INCLUDING THE DRAWING AND INFORMATION CONTAINED HEREIN, IS CONFIDENTIAL AND IS THE EXCLUSIVE PROPERTY OF EATON CORPORATION AND IS LOANED TO YOU AND SUBJECT TO RECALL BY EATON AT ANY TIME. BY YOUR POSSESSION OF THIS DOCUMENT, THE RECIPIENT ACKNOWLEDGES AND AGREES THAT THIS DOCUMENT CANNOT BE USED IN ANY MANNER CONTRARY TO THE INTERESTS OF EATON AND THAT NO PORTION OF THIS DOCUMENT MAY BE COPIED OR OTHERWISE REPRODUCED WITHOUT THE PRIOR WRITTEN CONSENT OF EATON. IN THE CASE OF CONFLICTING CONTRACTUAL PROVISIONS, THIS NOTICE SHALL GOVERN THE STATUS OF THIS DOCUMENT. © 2011 Eaton Corporation - All Rights Reserved.</small>					



SCALE 3:1
DETAIL VIEW A

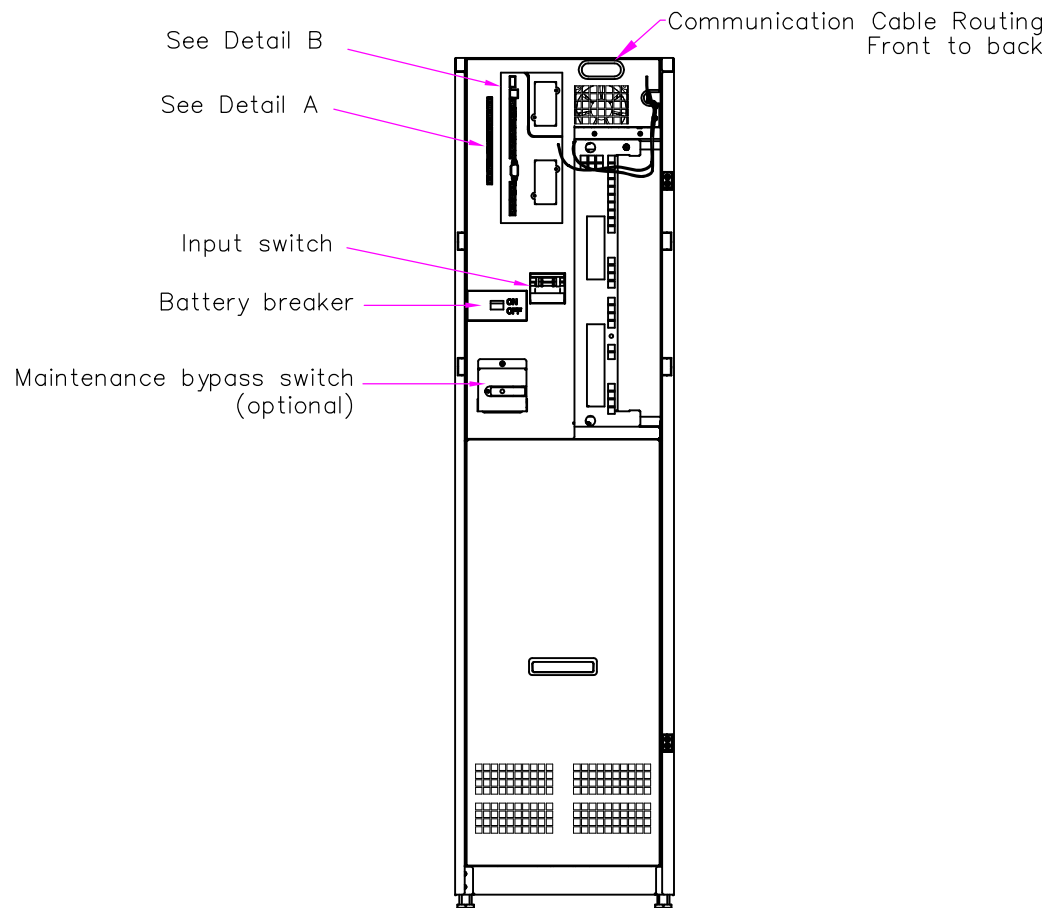


SCALE 3:1
DETAIL VIEW B

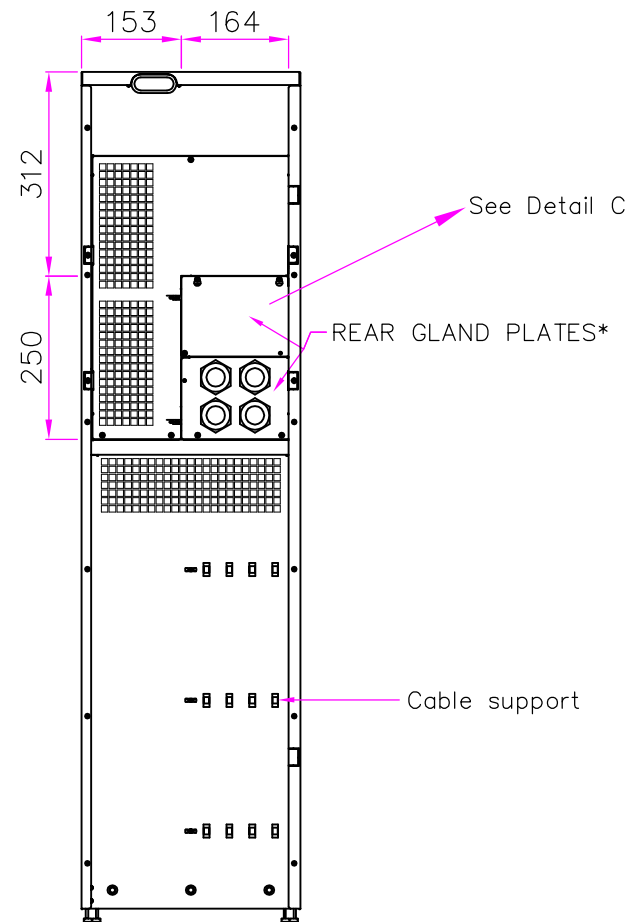


CONNECTIONS BEHIND GLAND PLATES

SCALE 5:1
DETAIL VIEW C



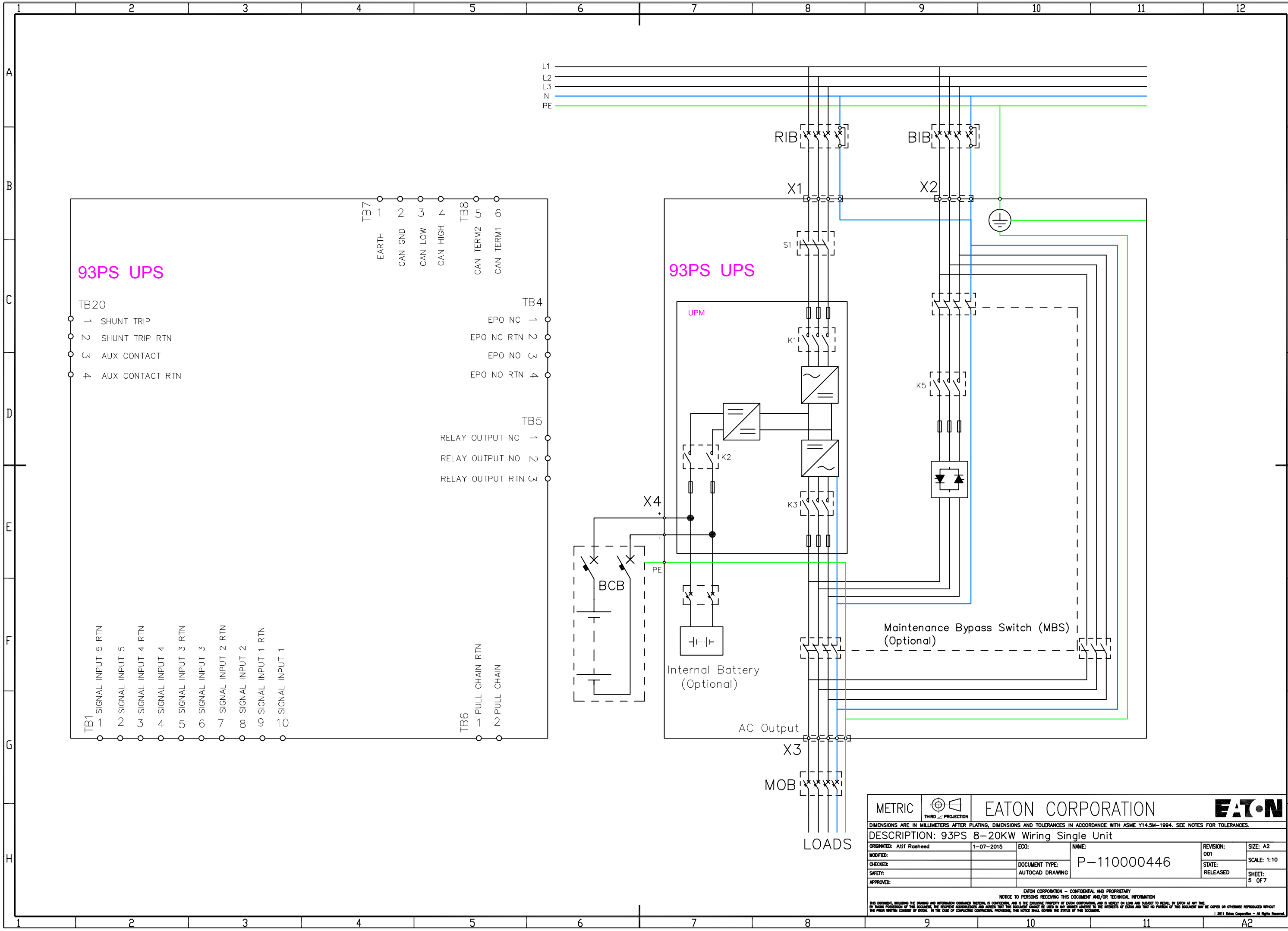
CONNECTIONS WITH FRONT PANEL REMOVED



REAR CONNECTIONS

Notes:
1. M40 size cable gland plates with strain relief bushing are used on the rear side of unit for power cabling and cables diameter should be of range 16–28mm.

METRIC		THIRD ANGLE PROJECTION		EATON CORPORATION		EATON	
DIMENSIONS ARE IN MILLIMETERS AFTER PLATING, DIMENSIONS AND TOLERANCES IN ACCORDANCE WITH ASME Y14.5M-1994. SEE NOTES FOR TOLERANCES.							
DESCRIPTION: 93PS 8–20KW Customer Connections							
ORIGINATED: Atif Rashid	1-07-2015	ECO:	NAME:	REVISION: 001	SIZE: A2		
MODIFIED:					SCALE: 1:10		
CHECKED:		DOCUMENT TYPE:	P-110000446	STATE: RELEASED	SHEET: 4 OF 7		
SAFETY:							
APPROVED:							
<small>EATON CORPORATION – CONFIDENTIAL AND PROPRIETARY NOTICE TO PERSONS RECEIVING THIS DOCUMENT AND/OR TECHNICAL INFORMATION THIS DOCUMENT, INCLUDING THE DRAWING AND INFORMATION CONTAINED THEREIN, IS CONFIDENTIAL AND IS THE EXCLUSIVE PROPERTY OF EATON CORPORATION, AND IS LOANED AND SUBJECT TO RECALL BY EATON AT ANY TIME. BY TAKING POSSESSION OF THIS DOCUMENT, THE RECIPIENT ACKNOWLEDGES AND AGREES THAT THIS DOCUMENT CANNOT BE USED IN ANY MANNER UNLESS TO THE INTERESTS OF EATON AND THAT NO PORTION OF THIS DOCUMENT MAY BE COPIED OR OTHERWISE REPRODUCED WITHOUT THE PRIOR WRITTEN CONSENT OF EATON. IN THE CASE OF CONFLICTING CONTRACTS, PROVISIONS, THIS NOTICE SHALL GOVERN THE STATUS OF THIS DOCUMENT. © 2011 Eaton Corporation – All Rights Reserved.</small>							



93PS UPS

- TB20
- SHUNT TRIP
 - ↺ SHUNT TRIP RTN
 - ↻ AUX CONTACT
 - ↻ AUX CONTACT RTN

- TB1
- 1 SIGNAL INPUT 5 RTN
 - 2 SIGNAL INPUT 5
 - 3 SIGNAL INPUT 4 RTN
 - 4 SIGNAL INPUT 4
 - 5 SIGNAL INPUT 3 RTN
 - 6 SIGNAL INPUT 3
 - 7 SIGNAL INPUT 2 RTN
 - 8 SIGNAL INPUT 2
 - 9 SIGNAL INPUT 1 RTN
 - 10 SIGNAL INPUT 1

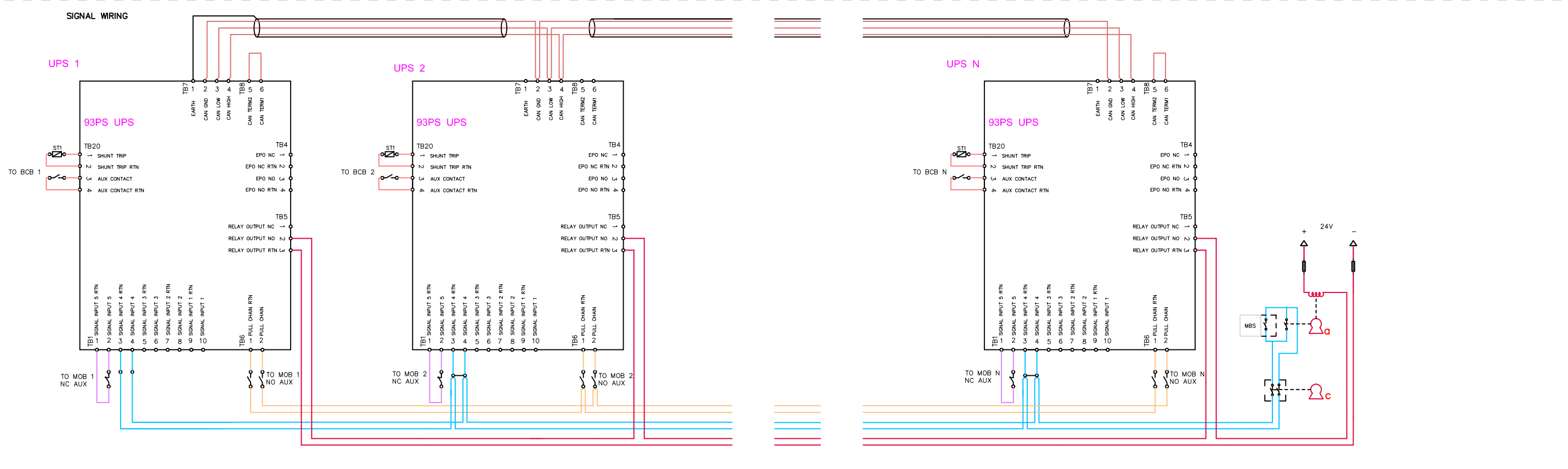
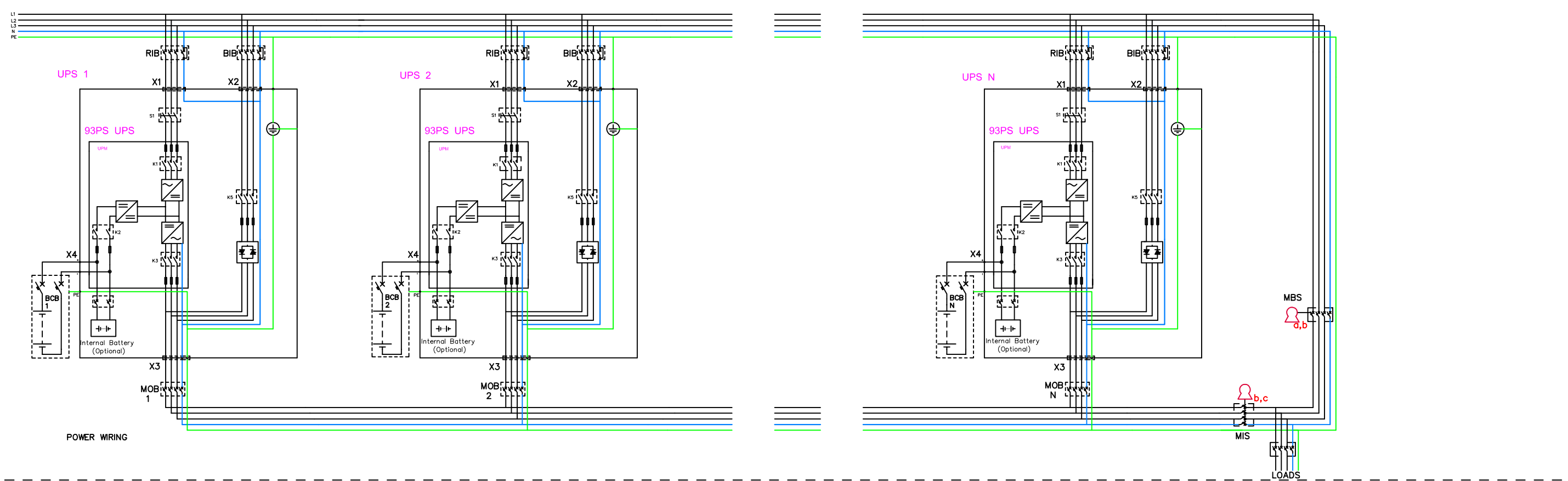
- TB7
- 1 EARTH
 - 2 CAN GND
 - 3 CAN LOW
 - 4 CAN HIGH
- TB8
- 5 CAN TERM2
 - 6 CAN TERM1

- TB4
- EPO NC
 - ↺ EPO NC RTN
 - ↻ EPO NO
 - ↻ EPO NO RTN

- TB5
- RELAY OUTPUT NC
 - ↺ RELAY OUTPUT NO
 - ↻ RELAY OUTPUT RTN

- TB6
- 1 PULL CHAIN RTN
 - 2 PULL CHAIN

METRIC		EATON CORPORATION		EATON	
DIMENSIONS ARE IN MILLIMETERS AFTER PLATING, DIMENSIONS AND TOLERANCES IN ACCORDANCE WITH ASME Y14.5M-1994. SEE NOTES FOR TOLERANCES.					
DESCRIPTION: 93PS 8-20KW Wiring Single Unit					
ORIGINATED: Atif Rashid	1-07-2015	ECO:	NAME:	REVISION: 001	SIZE: A2
MODIFIED:				STATE: RELEASED	SCALE: 1:10
CHECKED:		DOCUMENT TYPE:	P-110000446		SHEET: 5 OF 7
SAFETY:		AUTOCAD DRAWING			
APPROVED:					
<small>EATON CORPORATION - CONFIDENTIAL AND PROPRIETARY NOTICE TO PERSONS RECEIVING THIS DOCUMENT AND/OR TECHNICAL INFORMATION THIS DOCUMENT, INCLUDING THE DRAWING AND INFORMATION CONTAINED THEREIN, IS CONFIDENTIAL AND IS THE EXCLUSIVE PROPERTY OF EATON CORPORATION, AND IS MERELY ON LOAN AND SUBJECT TO RECALL BY EATON AT ANY TIME. BY TAKING POSSESSION OF THIS DOCUMENT, THE RECIPIENT ACKNOWLEDGES AND AGREES THAT THIS DOCUMENT CANNOT BE USED IN ANY MANNER HARMFUL TO THE INTERESTS OF EATON AND THAT NO PORTION OF THIS DOCUMENT MAY BE COPIED OR OTHERWISE REPRODUCED WITHOUT THE PRIOR WRITTEN CONSENT OF EATON. IN THE CASE OF CONFLICTING CONTRACTUAL PROVISIONS, THIS NOTICE SHALL GOVERN THE STATUS OF THIS DOCUMENT. © 2011 Eaton Corporation - All Rights Reserved.</small>					



- MBS STATUS (Provided by others, Installed by others)
0.75 - 2.5mm² twisted pair (if possible, else shielded)
No earth needed
- MOB STATUS (Provided by others, Installed by others)
0.75 - 2.5mm² twisted pair (if possible, else shielded)
No earth needed
- PCAN (DUAL AS OPTION)
Provided by Eaton, Installed by Eaton
- PULL CHAIN (REDUNDANT ON BYP STATUS)
Provided by Eaton, Installed by Eaton
- ON BYPASS STATUS (NO INVERTORS ONLINE)
1.5 - 2.5mm², provided by others, Installed by others

- Mechanical bypass interlocking sequence
1. Place UPS system to bypass. On bypass status (K3) will energize Key A solenoid to release it
 2. Removing key A will switch on "force bypass" to the UPS system
 3. Place key A to MBS breaker and close breaker. Key B will be released.
 4. Aux contact of MBS will keep "force bypass" on UPS system
 5. Place key B to MIS breaker and open MIS to isolate UPS system from load. Key C will be released
 6. Place key C to it's dedicated keyhole to release "force bypass" command to allow UPS system testing

METRIC	THIRD ANGLE PROJECTION	EATON CORPORATION		EATON
DIMENSIONS ARE IN MILLIMETERS AFTER PLATING, DIMENSIONS AND TOLERANCES IN ACCORDANCE WITH ASME Y14.5M-1994. SEE NOTES FOR TOLERANCES.				
DESCRIPTION: 93PS 8-20KW Wiring Parallel Units				
ORIGINATED: Atif Rasheed	1-07-2015	ECO:	NAME:	REVISION: 001
MODIFIED:		DOCUMENT TYPE:	P-110000446	SCALE: 1:1
CHECKED:		AUTOCAD DRAWING		STATE: RELEASED
SAFETY:				SHEET: 6 OF 7
APPROVED:				

EATON CORPORATION - CONFIDENTIAL AND PROPRIETARY
NOTICE TO PERSONS RECEIVING THIS DOCUMENT AND/OR TECHNICAL INFORMATION
THIS DOCUMENT, INCLUDING THE DRAWING AND INFORMATION CONTAINED THEREIN, IS CONFIDENTIAL AND IS THE EXCLUSIVE PROPERTY OF EATON CORPORATION, AND IS LOANED AND SUBJECT TO RECALL BY EATON AT ANY TIME.
BY THE USE AND RECEIPT OF THIS DOCUMENT, THE RECIPIENT ACKNOWLEDGES AND AGREES THAT THIS DOCUMENT SHALL BE USED IN THE INTERESTS OF EATON AND THAT NO PORTION OF THIS DOCUMENT MAY BE COPIED OR OTHERWISE REPRODUCED WITHOUT THE PRIOR WRITTEN CONSENT OF EATON. IN THE CASE OF CONFLICTING CONTRACTUAL PROVISIONS, THIS NOTICE SHALL GOVERN THE STATUS OF THIS DOCUMENT.
© 2011 Eaton Corporation - All Rights Reserved.

93PS 8-20KW UPS Site Planning Data

Product Specifications

UPS Rating		AC Input		3P+Bolted N Rectifier Input Breaker (RIB)		3P+Bolted N Bypass Input Breaker (BIB)			AC Output			4P Inverter AC output Breaker MOB			Battery Breaker (BCB) (Ratings at the end of discharge, 1.67VPC)				For Single Unit Maintenance Bypass Switch (MBS)	For Parallel Units Common Maintenance Bypass Switch (MBS)	
				Nominal Current	Maximum Current	Nominal Current at 400v Input	Maximum Current at 15% under voltage	Integrated Bypass Fuse				Output Current	Inverter Short Circuit Current	Auxiliary Switches	Rating	Separate Battery Configuration (UPM Bttery)	Common Battery Configuration (UPS Battery)	Trip Device (Shunt Trip)	Auxiliary Switches	Rating	Rating
KVA	KW	v	A	A	A	A	Type	v	A	A / 300ms	Qty	VDC	A	A	VDC	Qty	A	A	Qty		
8	8	400	12	18	12	17	160 FEE	400	12	72	2	500	NA	63	24	1	12	12 x N	1		
10	10	400	15	22	15	21	160 FEE	400	15	72	2	500	NA	63	24	1	15	15 x N	1		
15	15	400	23	29	22	32	160 FEE	400	22	72	2	500	NA	63	24	1	22	22 x N	1		
20	20	400	30	38	29	42	160 FEE	400	29	72	2	500	NA	63	24	1	29	22 x N	1		

Minimum recommended cable and fuse sizes

UPS RATING KW	Cable [mm ²]	Rectifier Fuse [A]	Bypass Fuse [A]	PE Cable [mm ²]	POS. & NEG. Line [mm ²]	Battery Fuse [A]	EX BATT PE Cable [mm ²]
8	4*2.5	20	20	1*6	1*16	63	1*16
10	4*4	20	20	1*6	1*16	63	1*16
15	4*10	32	32	1*10	1*16	63	1*16
20	4*10	40	40	1*10	1*16	63	1*16

Notes:

1. Rectifier AC input current calculations: Nominal – 100% load without charging; Maximum – 100% load with maximum charging (Rectifier current limit).
2. Inverter AC output current calculation: At 100% rated output load.
3. The system must be installed on a level floor suitable for computer or electronic equipment.
4. All wiring and installations must be in accordance with applicable National and Local Electric Regulations.
5. AC input to UPS: (3) phases, (1) neutral, (1) ground.
AC output to load: (3) phases, (1) neutral, (1) ground.
DC input from battery to UPS: (1) positive, (1) negative, (1) ground.
6. All breakers should be adjusted according to the specified Ampere values to protect the UPS and installation.
7. For UPS installation that utilizes single feed input, The input breaker should be configured according to the rated rectifier input current.
8. Cable sizing is based on the standard IEC 60364-5-52 and IEC 60364-5-54. The sizing is for 70°C rated copper cables.
9. Specifications are subject to change.

METRIC		EATON CORPORATION		
DIMENSIONS ARE IN MILLIMETERS AFTER PLATING, DIMENSIONS AND TOLERANCES IN ACCORDANCE WITH ASME Y14.5M-1994. SEE NOTES FOR TOLERANCES.				
DESCRIPTION: 93PS 8-20KW Specifications				
ORIGINATED: Atif Rasheed	1-07-2015	ECO:	NAME:	REVISION: 001
MODIFIED:		DOCUMENT TYPE:	P-110000446	SCALE: 1:1
CHECKED:		AUTOCAD DRAWING	RELEASED	SHEET: 7 OF 7
SAFETY:				
APPROVED:				
EATON CORPORATION - CONFIDENTIAL AND PROPRIETARY				
NOTICE TO PERSONS RECEIVING THIS DOCUMENT AND/OR TECHNICAL INFORMATION				
THIS DOCUMENT, INCLUDING THE DRAWING AND INFORMATION CONTAINED THEREON, IS CONFIDENTIAL AND IS THE EXCLUSIVE PROPERTY OF EATON CORPORATION, AND IS LOANED TO YOU AND SUBJECT TO RECALL BY EATON AT ANY TIME. BY TAKING POSSESSION OF THIS DOCUMENT, THE RECIPIENT ACKNOWLEDGES AND AGREES THAT THIS DOCUMENT CANNOT BE USED IN ANY MANNER ADVERSE TO THE INTERESTS OF EATON AND THAT NO PORTION OF THIS DOCUMENT MAY BE COPIED OR OTHERWISE REPRODUCED WITHOUT THE PRIOR WRITTEN CONSENT OF EATON. IN THE CASE OF CONFLICTING CONTRACTUAL PROVISIONS, THIS NOTICE SHALL GOVERN THE STATUS OF THIS DOCUMENT.				
© 2011 Eaton Corporation - All Rights Reserved.				