

RM3-400 Series Rectifier Magazine



Features

- 48V or 24V
- 19-inch relay rack or cabinet mounting
- Compact 1U height, 150A output
- Suitable for Enterprise and Access 3G power rectifiers including the Energy Saver Rectifier
- Independent AC input to each rectifier
- Compliance with international standards



The Eaton RM3-400 rectifier magazine is a versatile and compact 1U high, 19-inch module designed to UL specifications. Its can accommodate both the Enterprise and Access series of Eaton 3G and Energy Saver (ES) rectifiers and can be configured for up to 3 rectifiers or, 2 rectifiers and a system controller.

It has an output capacity of up to 150A (actual output is dependent on the rectifier model) however, the front-to-back airflow allows two RM3 magazines to be stacked for higher capacity solutions.

The DC output is via a field wiring termination box to provide an easily accessed connection (take-off) point for flexible cables.

Independent AC supply to each rectifier position is via either plug & cord sets or IEC plugs where country and voltage specific sets are available upon request.

The RM3-400 series is suitable for both cabinet and relay rack mounting. The mounting brackets can be moved along the chassis to provide a wide range of mounting position options.

The RM3-400 series is an ideal solution to supply front end power to customer equipment or as a building block for integrated systems in custom applications.



Powering Business Worldwide

Technical Specifications

Brief Technical Specifications

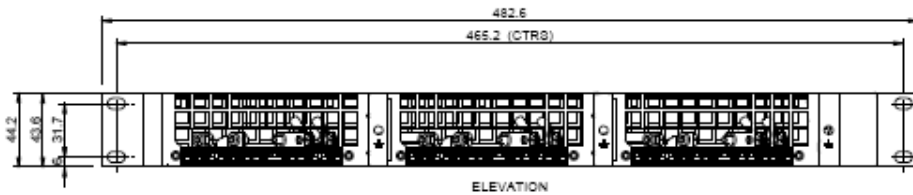
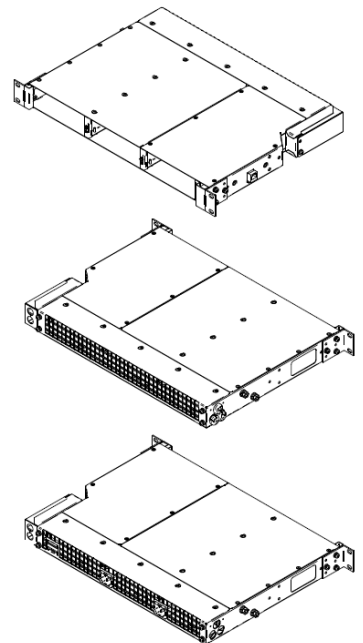
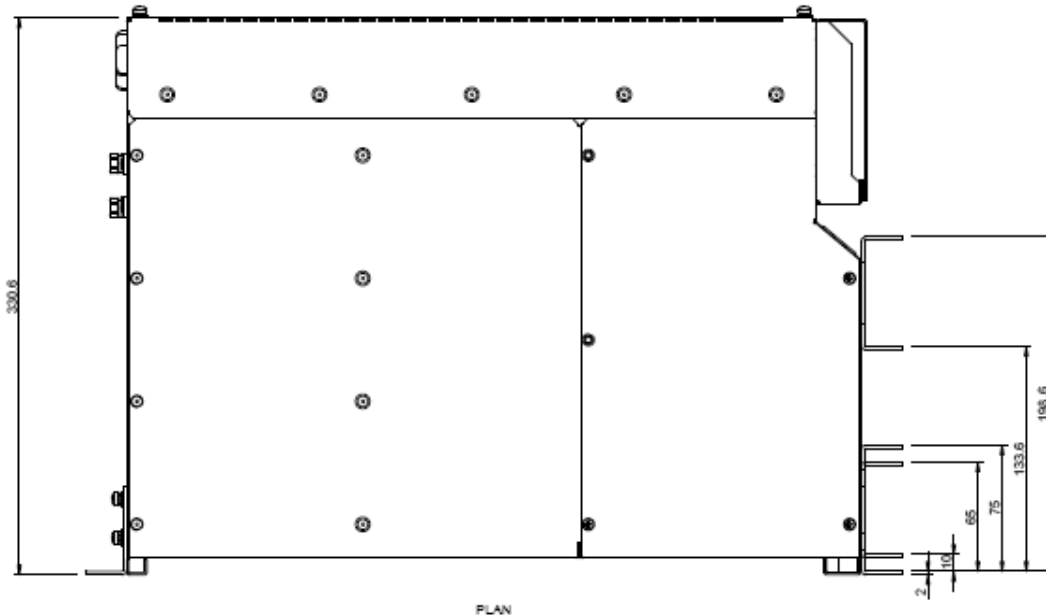
AC Supply	1Ø or 2Ø via individual cord sets
DC Output	24V: up to 150A 48V: up to 125A (dependent on rectifiers fitted) Interconnecting busbars with flexible cable take-off (field wireable).
Dimensions H,W,D	Standard: 1U, 19", 335mm [13.2"]* *Additional clear space is required for exhaust air.
Weight	3.9kg [8.6lb] including AC cable sets.
Rectifier Configurations	3 x EPR48-3G / APR48-3G / APR24-3G / APR48-ES 2 x EPR48-3G / APR48-3G / APR24-3G / APR48-ES plus system controller
Options	Rectifier cover for unused rectifier positions (RM3B-A01) AC cord sets - country/voltage specific 23" mounting brackets
Versions	RM3-400 series (3 rectifiers, no system controller) RM3-410 series (2 rectifiers, SC100 system controller) RM3-420 series (2 rectifiers, SC200 system controller)

Certifications

All products comply with international standards. Contact your local Eaton DC representative for details on the specific product versions available with these safety and EMC approvals:

Europe	CE
North America	UL (recognized)

In the interests of continual product improvement all specifications are subject to change without notice.



Eaton, CellSure, SiteSure, DCTools and PowerManager are trade names, trademarks, and/or service marks of Eaton Corporation or its subsidiaries and affiliates. All other trademarks are property of their respective owners.