

Eaton 91PS and Eaton 93PS UPS

Product brochure



EATON
Powering Business Worldwide

Eaton 91PS and Eaton 93PS UPS

Lowest total cost of ownership and maximum availability – taking scalability, resiliency, safety, and efficiency to the next level.

The most advanced UPSs in their power range, the Eaton 91PS and 93PS are ideal for small data centers and other mission-critical applications where efficiency, reliability, safety and scalability are essential.

Future-ready

The rapid adoption of the cloud, constant evolution of IT technologies, increased focus on environmental footprint and sophistication of mission-critical applications are demanding even more efficient, resilient, scalable and safe power protection solutions.

The new levels of efficiency and scalability offered by the Eaton 91PS and 93PS minimize Total Cost of Ownership while the safety and resiliency, both in infrastructure and IT layers, maximize availability and ensure business continuity.

Eaton 91PS

(single/three phase in & single phase out)

POWER RATING

8-30kW

Eaton 93PS

(three phase in & three phase out)

POWER RATING

8-40kW



Over 50 years of UPS Leadership

Eaton's long history of UPS expertise encompasses small, medium and large data centers as well as industrial applications. We have a deep understanding of our customers' needs, ensuring more efficient and more reliable power supply solutions.

Innovation is integral to our heritage, with patented systems such as Best Power, Powerware, MGE Office Protection Systems and B-Line.

Eaton 91PS and 93PS UPSs represent the latest in our long line of market-leading, technologically advanced UPSs for mission-critical applications.

Made in Finland

Eaton manufacturing facility and center of competence for 3-phase UPS is located in Finland. Opened over 50 years ago, the factory has delivered more than 250 000 UPS units to date. The site hosts more than 500 visitors annually for Factory Acceptance Tests and UPS demonstrations.

Your mission - critical UPSs

Whatever your mission-critical application, the Eaton 91PS and 93PS UPSs offer the power performance, scalability, resiliency and the efficiency you need.

They are ideal for:

- Small data centers
- Commercial buildings and industrial complexes
- Transportation systems
- Hospitals
- Finance and banking critical infrastructure
- Security operations
- Telecommunications installations
- Process control equipment



1300 662 435

poweronaustralia.com.au

Power On Australia Pty Ltd - ABN 48 110 752 442

📍 Unit 2/121 Evans Road SALISBURY QLD 4107 (Head Office)

📦 Po Box 5322, Daisy Hill QLD 4127

Eaton 91PS and 93PS suit every need

Eaton 91PS and 93PS are easy to deploy in various applications from Data Centers to infrastructure and rail to healthcare equipment and process automation.



Frame (maximum power)		10kW
Phases in/out	Eaton 91PS	1:1 / 3:1
	Eaton 93PS	3:3
Power range		8 – 10 kW
Runtime (internal batteries)		8 - 15 min
Number of power modules		Monolithic



Frame (maximum power)	Eaton 91PS	15 kW
	Eaton 93PS	20 kW
Phases in/out	Eaton 91PS	3:1
	Eaton 93PS	3:3
Power range	Eaton 91PS	8 – 15 kW
	Eaton 93PS	8 – 20 kW
Runtime (internal batteries)		5 – 37 min
Number of power modules		1



Frame (maximum power)	Eaton 91PS	30 kW
	Eaton 93PS	40 kW
Phases in/out	Eaton 91PS	3:1
	Eaton 93PS	3:3
Power range	Eaton 91PS	8 – 30 kW
	Eaton 93PS	8 – 40 kW
Runtime (internal batteries)		5 – 85 min
Number of power modules		1-2



All-round value

Our goal is to deliver the highest availability for mission critical applications at the Lowest Total Cost of Ownership for cost-efficient business continuity.



Scalability

Modular scalability helps to optimize capital expenditure by enabling the pay-as-you-grow approach.



Efficiency

With market-leading efficiency being translated into reduced electrical and cooling losses, the Eaton 91PS and 93PS help to minimize operational expenditure.



Safety

Eaton 91PS and 93PS make electrical safety easy for the end users, planners and contractors – required safety equipment come pre-tested, integrated and inbuilt.



Resiliency

The ability of a system to absorb faults and still remain in its desired operational state is paramount to minimizing costly downtime.



1300 662 435
poweronaustralia.com.au

Power On Australia Pty Ltd - ABN 48 110 752 442

📍 Unit 2/121 Evans Road SALISBURY QLD 4107 (Head Office)

📦 Po Box 5322, Daisy Hill QLD 4127

Lowest Total Cost of Ownership

Eaton 91PS and 93PS cost you less to own because they are more efficient, thanks to a number of leading technologies.

Leading Efficiency Technologies resulting in ultimate savings

Double conversion efficiency

High online efficiency significantly lowers operation costs and provides savings in cooling. Replacing an older generation UPS with a Eaton 91PS/93PS will be paid back in 3 years.

96.2%  **3 YEARS PAYBACK TIME**

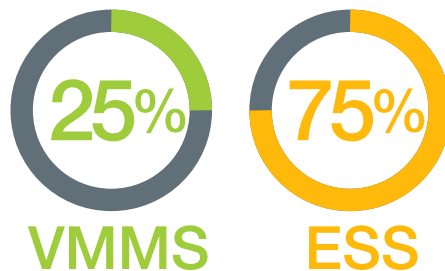
900000 kVA
of UPS CAPACITY IN ESS MODE
74% Less Losses

Energy Saver System

Energy Saver System (ESS) improves Eaton 91PS and 93PS efficiency levels to 99%. ESS is the most proven and reliable energy saving system in the market with many years of usage within a wide install base. Even when comparing to extremely high double conversion efficiency, ESS mode can further reduce the losses by 74% with a typical UPS load.

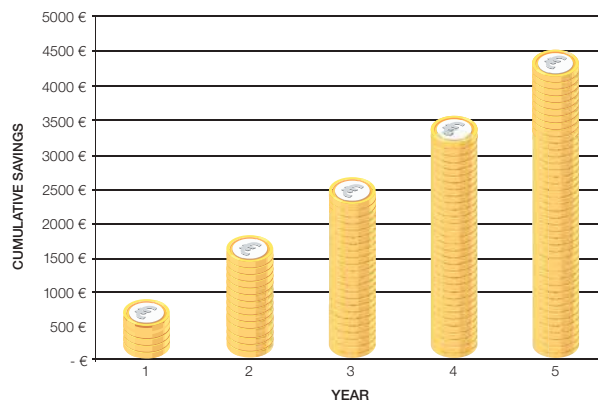
Optimized double conversion

Variable Module Management System (VMMS) helps to achieve high efficiency even when UPS load levels are low - typical for redundant UPS systems.



REDUCTION IN OPERATION EXPENSES

Eaton 91PS and 93PS will save you close to 1000 € annually in operating expenses



More than **DOUBLE YOUR SAVINGS** by utilizing **ESS MODE** **10 000 €/5 years**

Data used for calculation
Eaton 91PS or 93PS vs. 94% efficiency UPS



1300 662 435
poweronaustralia.com.au

Power On Australia Pty Ltd - ABN 48 110 752 442
 Unit 2/121 Evans Road SALISBURY QLD 4107 (Head Office)
 Po Box 5322, Daisy Hill QLD 4127

Highest power density

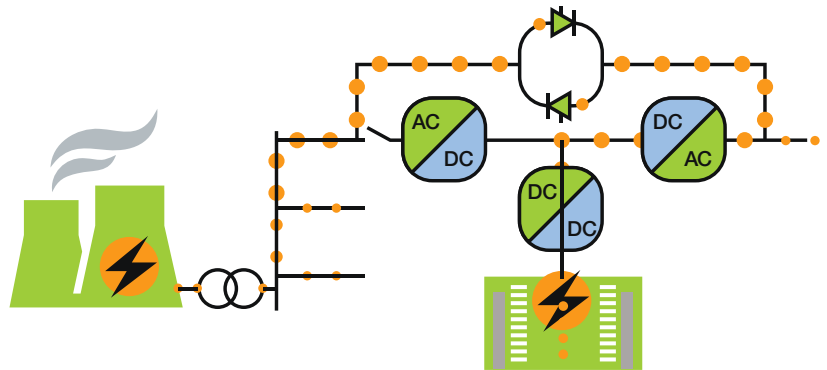
The unity power factor maximizes the true available power of the Eaton 91PS and 93PS. This means they can deliver up to 25% more real power than other UPSs in its class.

Easy Capacity Test

Load testing can be costly and time consuming – but not with the Eaton 91PS and 93PS. Its Easy Capacity Test (ECT) feature recirculates the energy from the UPS for testing. Hence there's no need to rent costly load banks and no time or energy wasted on temporary load connections.

Reduced footprint

The extremely small footprints of the Eaton 91PS and 93PS can free up valuable space for revenue generating equipment in the Data Centre.



Availability

Whatever the changing conditions – and however quickly they change – the Eaton 91PS and 93PS UPSs are designed to maintain a steady, uninterrupted, clean power supply. This market-leading resiliency is the result of a number of advanced technologies built-in to the Eaton 91PS and 93PS.

Reliable load sharing

Hot Sync is a patented load-sharing technology for parallel operation of UPS inverters, without communication or load-share signals. Not relying on communication link or master-control topology, Eaton 91PS and 93PS UPSs provide the highest possible reliability by eliminating the single point of failure in a parallel operating UPS system.

Increased battery life

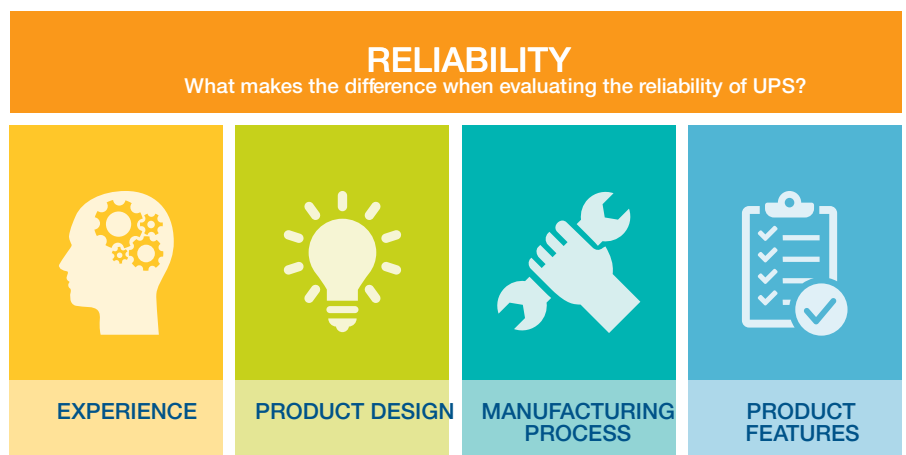
The Advanced Battery Management extends the life of valve-regulated lead-acid (VRLA) batteries, through an intelligent charging routine. This prevents unnecessary charging and significantly retards the battery wear rate. ABM technology is widely used and accepted technology with a 20-year proven track-record.

Electrical installation safety made easier

Designing safe electrical installations are made easy for the designers and end users of Eaton UPS. The important safety requirements are implemented into the UPS design as standard.

The installation fault current levels are determined by the size of incoming transformer. The UPS is validated for prospective short circuit current of $I_{sc} 100kA$, which is suitable for practically all installations. Eaton 91PS and 93PS UPSs come with an integrated Bussmann ultra-rapid fuse in its bypass line. Eaton UPSs are guaranteed to be safe and compatible with any installation fault current levels, no conditions apply.

The UPS safety standard (IEC/EN 62040 Part 1) also requires backfeed isolation device to be connected in the UPS static bypass path due to human safety under thyristor short circuit condition. Eaton UPS come with backfeed isolation contactor integrated internally in the unit. This also guarantees that a shorted thyristor will have no effect to the double conversion operation of the UPS, removing the single point of failure.



1300 662 435
poweronaustralia.com.au

Power On Australia Pty Ltd - ABN 48 110 752 442

Unit 2/121 Evans Road SALISBURY QLD 4107 (Head Office)

Po Box 5322, Daisy Hill QLD 4127

Redundancy on battery as well as on power module level

Eaton 91PS and 93PS offer the possibility to have either common or separate battery configurations.



Common versus Separate Battery configuration

Hot swappable and hot scalable

Due to its modular designs, Eaton 91PS or 93PS power modules can be replaced or added while other modules continue protecting the load. This eliminates the need to go to bypass for module replacement or upgrading (MTTR: 0 minutes). Replacement and upgrade operations typically take less than 10 minutes.

Eaton 91PS and 93PS designs ensure ease of deployment, with pre-designed, pre-tested and pre-installed safety components integrated as standard. Eliminating the need to design them into the upstream panel reduces the total cost of installation.

Eaton 91PS and Eaton 93PS user display

For user safety and convenience, the Eaton 91PS and 93PS display a range of colored LED indicators as operating status alerts. These are displayed both on the cabinet door of the UPS and on screen.

Normal operation



Bypass mode



Battery mode (blinking)



Alarm



More intelligence

Eaton 91PS and 93PS are uniquely intelligent UPSs, which are both virtualisation- and cloud-ready.

Single pane of glass

Utilising Eaton's Intelligent Power Software (Intelligent Power Manager – IPM – and Intelligent Power Protector – IPP) the Eaton 91PS and 93PS integrate with leading virtualisation and storage platforms, and allow users to view, monitor and administer physical and virtual servers, UPSs, PDUs and other power devices, from a single pane of glass.

Network- and power-related alerts will be provided through the virtualisation management application, and the Eaton 91PS and 93PS will take the resiliency of the system to the next level, by bridging the electrical and IT infrastructures.

IPM provides several options to ensure business continuity, e.g.:

- Load shedding: non-critical services can be suspended or gracefully shut down. By reducing the load to 50%, the UPS will have 150% more runtime on batteries
- Migration of critical applications to an unaffected host.



1300 662 435
poweronaustralia.com.au

Power On Australia Pty Ltd - ABN 48 110 752 442

Unit 2/121 Evans Road SALISBURY QLD 4107 (Head Office)

Po Box 5322, Daisy Hill QLD 4127

At your service everywhere

With three Power Quality manufacturing facilities in the EMEA region, plus a strong local service presence, Eaton will provide your UPS with expert support from day one to the end of its service life.

Peace of mind

Eaton has a service team on call 24/7, to minimize risks through early detection of problems and timely action, before disturbances or downtime result.

There are over 120 Eaton field engineers operating across EMEA – all comprehensively trained and continually updated on the latest products and technologies.

The dedicated support package they provide will ensure your equipment runs safely, reliably, sustainably and with the utmost energy efficiency, at all times.

The proof is in the testing

The quality and reliability of the Eaton 91PS and 93PS is not something you have to wait to experience, Eaton's 5 MW state-of-the-art testing facilities in Finland allow you to conduct standard and customized tests to meet your specific needs, and to address your "what if" scenarios.

Service contracts

At Eaton, we like to keep things simple. So, we have compiled service plans to match different types of maintenance needs and budgets. Whichever plan you choose, you can rest assured it will deliver power security and reliability that will keep your business running.

Move to a 24/7 Remote Service

Eaton has a service team on call 24/7, to minimize risks through early detection of problems and timely action, before disturbances or downtime result.

There are over 120 Eaton field engineers operating across EMEA – all comprehensively trained and continually updated on the latest products and technologies.

The dedicated support package they provide will ensure your equipment runs safely, reliably, sustainably and with the utmost energy efficiency, at all times.

*Benefits:

- increased power reliability
- peace of mind (Eaton experts available)
- stay informed
- faster response time/improved First Time Fix rate
- Eaton expert analysis
- optimized preventive maintenance
- overall system monitoring and reporting

*Availability of the benefits are country-dependent. Please contact your Eaton service office to check the local agreements.



1300 662 435
poweronaustralia.com.au

Power On Australia Pty Ltd - ABN 48 110 752 442

📍 Unit 2/121 Evans Road SALISBURY QLD 4107 (Head Office)

📦 Po Box 5322, Daisy Hill QLD 4127

Technical specifications

General		
UPS output power rating	Eaton 91PS Eaton 93PS	8-30 kW 8-40 kW
Efficiency in double conversion mode		96 %
Efficiency in Energy Saver System (ESS) mode		99 %
Paralleling capability		up to 4 units
Audible noise	10 kW frame 15-40 kW frame	< 54 dBA in double conversion < 60 dBA in double conversion
Altitude (max)		1000 m without derating (max 2000m)
Input		
Input wiring	Eaton 91PS (1:1) Eaton 91PS (3:1) & 93PS (3:3)	1 phase + N + PE 3 phases + N + PE
Nominal voltage rating	Eaton 91PS (1:1) Eaton 91PS (3:1) & 93PS (3:3)	220 V ; 230 V ; 240 V 50/60 Hz 220/380 V; 230/400 V; 240/415 V 50/60 Hz
Input frequency range		40 to 72 Hz
Input power factor		0.99
Input iTHD	8-10 kW 15-40 kW	< 5 % < 4 %
Soft start capability		Yes
Internal backfeed protection		Yes
Output		
Output wiring	Eaton 91PS (1:1 & 3:1) Eaton 93PS (3:3)	1 phase + N + PE 3 phases + N + PE
Nominal voltage rating	Eaton 91PS (1:1 & 3:1) Eaton 93PS (3:3)	220 V ; 230 V ; 240 V 50/60 Hz 220/380 V; 230/400 V; 240/415 V
Load power factor range		0.8 lagging – 0.8 leading
Battery		
Battery type	VRLA	
Charging mode	Advanced Battery Management (ABM) or Float	
Temperature compensated charging	Option	
Battery quantity	Internal	32 blocks, 192 cells per battery string
	External	string 28-40 blocks per string
Charge current limit	10 kW frame	Configurable, maximum 12.5 A
	15/20 kW frame	Configurable, maximum 18/25 A
	30/40 kW frame	Configurable, maximum 36/50 A
Battery start capability	Yes	
Alternative backup power sources	Li-Ion batteries Supercapacitors Wet cell batteries NiCd batteries	
Options and accessories		
Long life batteries		
External battery cabinets and supercapacitor cabinets		
External maintenance bypass switches		
Battery breaker enclosures for rack batteries		
Connectivity		
Native Relay inputs / outputs	5 relay inputs and dedicated EPO 1 relay output More relay contacts available as option	
Software	Eaton Intelligent Power Manager Eaton Intelligent Power Protector	
Connectivity cards:	Web/SNMP	
NETWORK-MS	Temperature, humidity and two status inputs through Environmental Monitoring Probe (option) Web/SNMP/Modbus RTU and TCP/BACnet IP	
PXGMS	Temperature, humidity and two status inputs through Environmental Monitoring Probe (option)	
INDRELAY-MS	5 output relays, 1 digital input	
Compliance with standards		
Safety	IEC 62040-1; CB certified	
EMC	IEC 62040-2	
Performance	IEC 62040-3	
RoHS	EU directive 2011/65/EU	
WEEE	EU directive 2012/19/EU	

